

# MINI TEMPERATURE CONTROLLER

engineering  
**PRECISION**



## MINI PORTABLE HOT WATER UNITS

Budzar's MTC (Mini Temperature Controller) Portable Hot Water System delivers full feature temperature control in the smallest cabinet on the market. The MTC, at 11" wide, 19" high and 24" long, is perfect for any industry process: rubber, plastics, pharmaceutical, chemical, power, steel, petroleum or food requiring a reliable temperature control unit with a small footprint.

The MTC brings unmatched reliability and power to your production process. The MTC eliminates pump failures by using industrial duty pumps with an EPDM Carbon/GI Silicar Seal rated up to 300° F. The standard 30 PSI discharge pressure delivers a powerful, turbulent flow. All units may be upgraded to 50 PSI. A continuous automatic air vent prevents heater burn-out and insures optimum heat transfer through your process. The MTC is built to deliver maintenance-free operation.

The brains of the MTC is a non-proprietary, full function PID controller that comes with a full 5 year warranty. "Continuous Self-Tuning" allows you to set the controller once and then forget it. The controller continuously adjusts the operation of the MTC to optimize the productivity of your process. A bright dual display shows separate set point and process temperatures that are easy to read under any factory lighting.

### EXCELLENT RETURN ON INVESTMENT

- A non-proprietary "self-tuning" controller continuously adjusts to your process to increase production rates, improve process consistency, reduce scrap and speed startup
- Exclusive use of quality equipment: I.E.C. electrical components, nonoverloading ODP motor, industrial duty pump with a 300°F rated EPDM HT Carbon/GI Silicar Seal, and long life cooling valve, work together to provide many years of outstanding service from your investment
- Flow rates are available from 20 to 100 GPM @ 30 PSI for turbulent flow. All units may be upgraded to 50 PSI.

### LOW-COST, SIMPLE OPERATION AND MAINTENANCE

- Two quick release side panels and a heavy duty easy release clamp fitting provide complete maintenance access.
- All components are arranged for easy access and service
- Separate process and set point temperature display, return and supply pressure gauges and full lighted status display provide complete diagnostics for the system

### QUICK AND EASY INSTALLATION

- The MTC size makes this unit easy to locate. At 11" wide and 19" high by 24" long the MTC will fit anywhere.

### OPTIONS

- Stainless steel brazed plate exchanger provided for closed loop cooling

 **BUDZAR**  
INDUSTRIES, INC.

process  
**TEMPERATURE**  
control

# MINI TEMPERATURE CONTROLLER

## DIRECT INJECTION-SOLENOID COOLING VALVE

Model	KW	Pump HP	Valve Size	Volt	Amps	GPM	Head
1WT-9-.75-.25-DS-460	9	0.75	0.25	460	1.6	15	30 psi
1WT-9-1-.25-DS-460	9	1.00	0.25	460	3	22	30 psi
1WT-9-1.5-.25-DS-460	9	1.50	0.25	460	3	35	30 psi
1WT-9-2-.5-DS-460	9	2.00	0.50	460	3.4	50	30 psi
1WT-9-3-.5-DS-460	9	3.00	0.50	460	4.8	90	30 psi

## DIRECT INJECTION-MODULATING COOLING VALVE

Model	KW	Pump HP	Valve Size	Volt	Amps	GPM	Head
MTC-9-.75-.5-DM-460	9	0.75	0.50	460	1.6	15	30 psi
MTCT-9-1-.5-DM-460	9	1.00	0.50	460	3	22	30 psi
MTC-9-1.5-.5-DM-460	9	1.50	0.50	460	3	35	30 psi
MTC-9-2-.5-DM-460	9	2.00	0.50	460	3.4	50	30 psi
MTC-9-3-.5-DM-460	9	3.00	0.50	460	4.8	90	30 psi

## CLOSED LOOP-SOLENOID COOLING VALVE

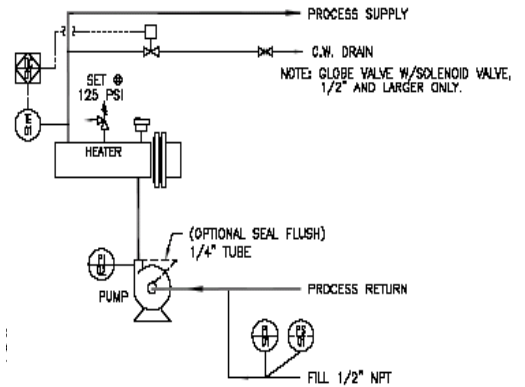
Model	KW	Pump HP	Valve Size	Volt	Amps	GPM	Head
MTC-9-.75-.5-C-460	9	0.75	0.25	460	1.6	15	30 psi
MTCT-9-1-.25-C-460	9	1.00	0.25	460	3	22	30 psi
MTC-9-1.5-.25-C-460	9	1.50	0.25	460	3	35	30 psi
MTC-9-2-.5-C-460	9	2.00	0.50	460	3.4	50	30 psi
MTC-9-3-.5-C-460	9	3.00	0.50	460	4.8	90	30 psi

## CLOSED LOOP-MODULATING COOLING VALVE

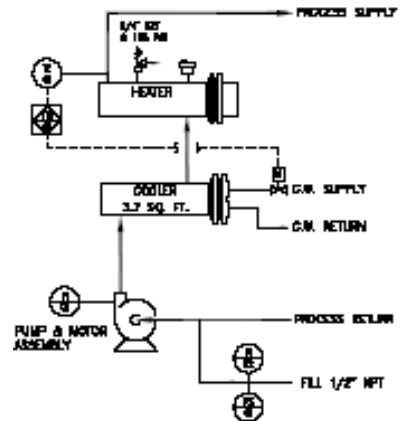
Model	KW	Pump HP	Valve Size	Volt	Amps	GPM	Head
1WT-9-.75-.5-C-460	9	0.75	0.25	460	1.6	15	30 psi
1WT-9-1-.5-C-460	9	1.00	0.25	460	3	22	30 psi
1WT-9-1.5-.5-C-460	9	1.50	0.25	460	3	35	30 psi
1WT-9-2-.5-C-460	9	2.00	0.50	460	3.4	50	30 psi
1WT-9-3-.5-C-460	9	3.00	0.50	460	4.8	90	30 psi

## Schematics

### Direct Injection



### Closed Loop



12 and 18 kw units available; 230/3/60 electrics available

Budzar Industries reserves the right to discontinue or change specifications without notice, consistent with sound engineering practice and current industrial standards.



38241 Willoughby Pkwy., Willoughby, Ohio 44094-7582  
 440-918-0505 • Fax 440-918-0606 / 918-0707  
 www.budzar.com • E-mail: sales@budzar.com

Bulletin #10 10-2017