

MULTI-ZONE HOT WATER



MWT MULTI-ZONE HOT WATER UNITS

BTU MWT Series Multi-Zone Hot Water Systems provide up to six independent zones, each with its own controls, pumps, heaters and cooling modes. Independent zone control maximizes production by operating each zone at independent set points. The MWT Series is available for use with plant steam or electricity as the heat source.

The MWT Series is available in both direct-injection or closed loop operation. This series is designed for industrial processes requiring fluid temperatures up to 250°F

Budzar also designs and manufactures specialized equipment for non-standard applications. Our engineers have extensive experience in process chilling and heating applications for such industries as: chemicals, petroleum, plastics, rubber, paper, power, steel, food, and pharmaceuticals. We take the time to understand your current and future needs and design a solution targeted at high quality and fast payback.



engineering
PRECISION

EXCELLENT RETURN ON INVESTMENT

- Each Budzar unit is designed to maximize the productivity of your process. Budzar quality and reliability provide excellent value for each dollar invested
- Reliable temperature control improves process consistency, reduces scrap, speeds start-up and increases production rates.

LOW-COST, SIMPLE OPERATION AND MAINTENANCE

- Solid-state, microprocessor-based controls provide reliable accurate operation
- Easy-to access components allow quick servicing
- "At-a-glance" indicator lights display important operating conditions.
- Available closed loop system minimizes injection of raw water with its contaminants into the circulating loop.
- System and operator are protected by low-pressure safety switch and relief valve.
- All electrical components are housed in a NEMA 12 enclosure with through the door disconnect for safe operation.

QUICK AND EASY INSTALLATION

- Single point connections for all utilities
- Minimal floor space design makes placement easy
- All units are factory tested prior to shipment



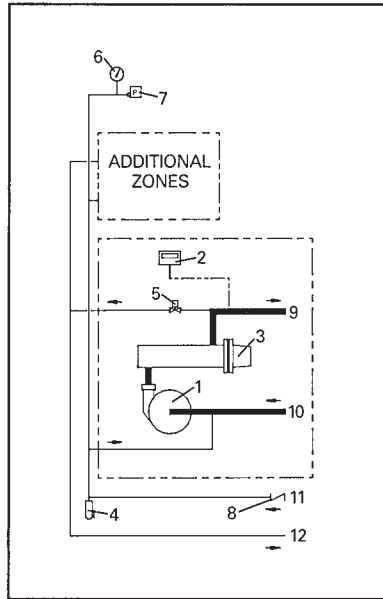
process
TEMPERATURE
control

MULTI-ZONE HOT WATER



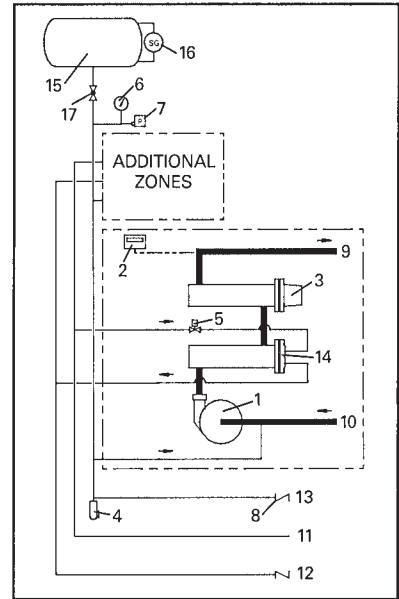
Model 4WT-930-C complete with expansion tank. NEMA 12 enclosure with disconnect switch is standard.

DIRECT INJECTION



- 1. Pump and Motor Assembly
- 2. Temperature Controller
- 3. Electric Heater
- 4. Relief Valve
- 5. Cooling Valve
- 6. Pressure Gauge
- 7. Pressure Switch
- 8. Check Valve
- 9. To Process
- 10. From Process
- 11. Cooling Water Supply
- 12. Cooling Water Drain

CLOSED LOOP



- 1. Pump and Motor Assembly
- 2. Temperature Controller
- 3. Electric Heater
- 4. Relief Valve
- 5. Cooling Valve
- 6. Pressure Gauge
- 7. Pressure Switch
- 8. Check Valve
- 9. To Process
- 10. From Process
- 11. Cooling Water Supply
- 12. Cooling Water Drain
- 13. System Fill
- 14. Cooler
- 15. Expansion Tank (Opt.)
- 16. Sight Glass (Opt.)
- 17. Tank Isolation Valve (Opt.)

MODEL	Heating (kW/FT ²)	FLOW (GPM) @ 30 PSI	H.P.	FLA @ 460V Elec/Steam	Cooling Sq Ft.	Approximate Dimensions L x W x H (inches)	Weight (lbs)
1WT-415-CV	4.5 kW	15	1	7.8	2.2	36 x 20 x 48	300
1WT-930-CV	9 kW	30	1.5	14.3	3.1	36 x 20 x 48	325
1WT-950-CV	9 kW	50	2	14.7	3.5	36 x 20 x 48	350
2WT-415-CV	4.5 kW	15	1	15.7	4.4	36 x 23 x 60	600
2WT-930-CV	9 kW	30	1.5	28.8	6.2	36 x 23 x 60	625
2WT-950-CV	9 kW	50	2	29.6	7.0	36 x 23 x 60	650
3WT-415-CV	4.5 kW	15	1	23.5	6.5	36 x 23 x 60	950
3WT-930-CV	9 kW	30	1.5	43.1	9.2	36 x 23 x 60	975
3WT-950-CV	9 kW	50	2	44.3	10.4	36 x 23 x 60	1000
4WT-415-CV	4.5 kW	15	1	31.2	8.6	36 x 23 x 72	1150
4WT-930-CV	9 kW	30	1.5	57.4	12.2	36 x 23 x 72	1175
4WT-950-CV	9 kW	50	2	59.0	13.8	36 x 23 x 72	1200
5WT-415-CV	4.5 kW	15	1	39.0	10.7	36 x 23 x 72	1500
5WT-930-CV	9 kW	30	1.5	71.7	15.2	36 x 23 x 72	1530
5WT-950-CV	9 kW	50	2	73.7	17.2	36 x 23 x 72	1560
6WT-415-CV	4.5 kW	15	1	48.7	12.8	36 x 23 x 84	1700
6WT-930-CV	9 kW	30	1.5	86.0	18.2	36 x 23 x 84	1735
6WT-950-CV	9 kW	50	2	88.4	20.6	36 x 23 x 84	1775